

# S-Series Light Sensor

The S-Series Light Detection Sensor detects and monitors ambient light intensity in real time, using LoRaWAN<sup>®</sup> technology, which enables ultra-wide distance transmission up to 10km.

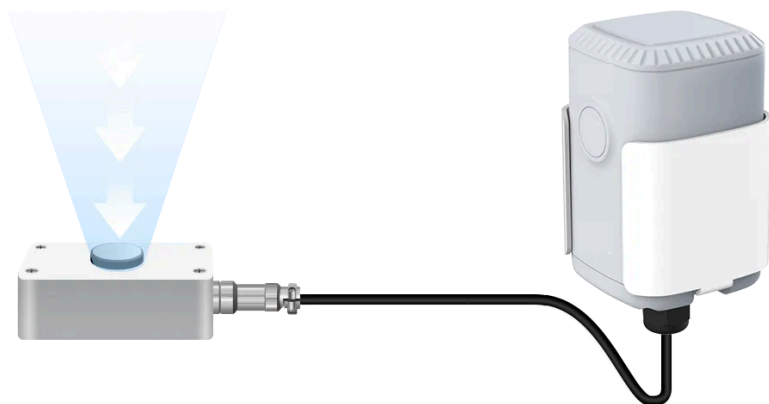
With this low power consumption technology, the Light Sensor's battery life has proven to last up to 10 years on a single 19000 mAh battery.

Real-time data collected by the sensor is automatically stored on Sonicu's cloud-native platform, which you can access on your tablet, PC, or smartphone.

When a light excursion is detected, Sonicu's platform will generate an instant alert, notifying your team via text, phone call, email, or app notification.

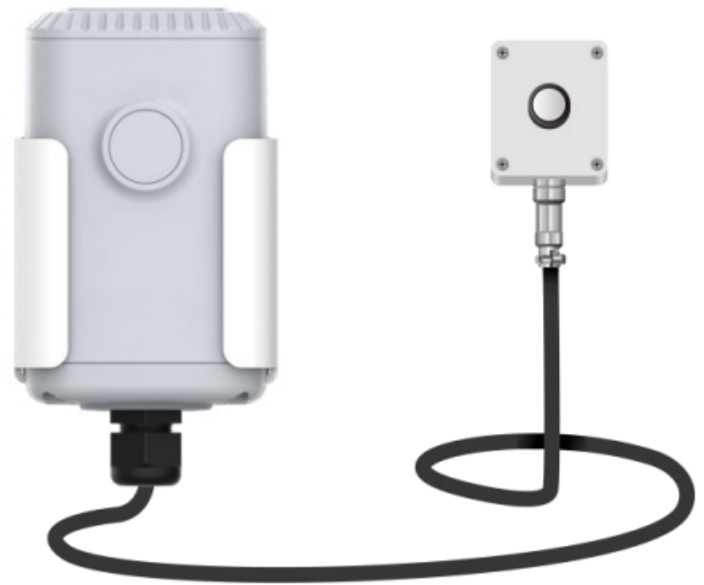
SoniLink Hub required.

## How It Works



Sensor collects readings in real time

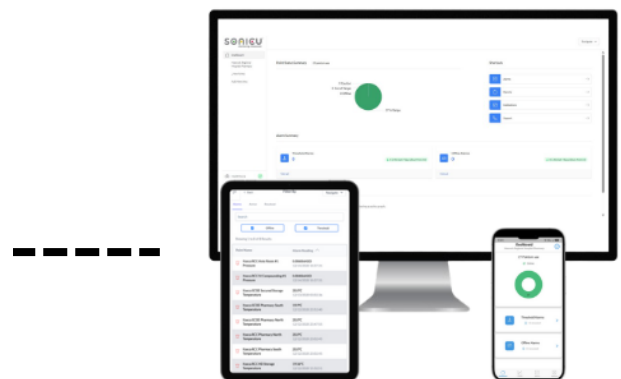
Meter wirelessly transmits data to SoniCloud



SKU: S-M14

## Applications

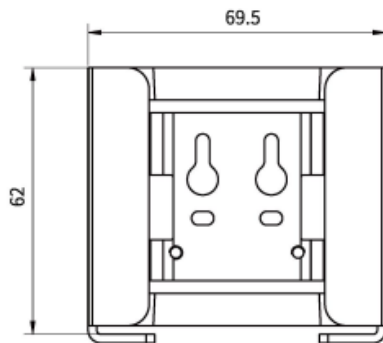
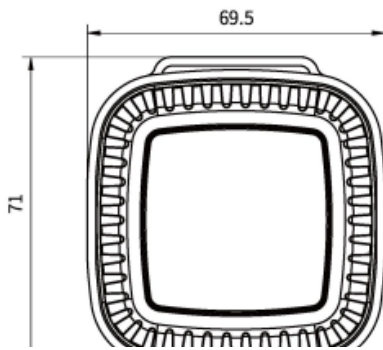
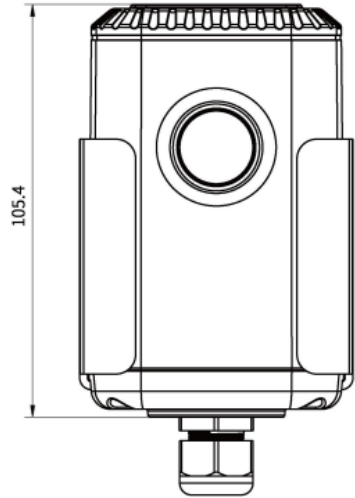
- Smart Agriculture & Buildings
- Urban Lighting
- Brightness Control
- Greenhouse Control
- Weather Monitoring



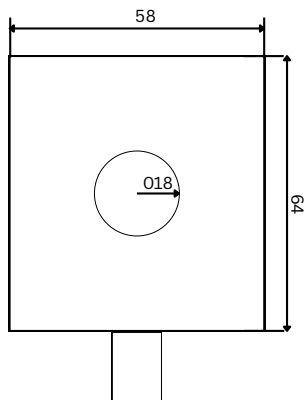
Access your data, generate reports, and manage alerts on SoniCloud

## Device Dimensions (mm)

Mounts to the wall,  
a pole, or a DIN rail.



## Light Sensor Dimensions (mm)



## Technical Specifications

<b>SKU</b>	S-M14
<b>Battery Life</b>	10 years*
<b>Operating Temperature</b>	Meter: -30°C~70°C Sensor: -30°C~60°C
<b>Relative Humidity</b>	0% to 100% (non-condensing)
<b>Power Supply</b>	1 × 19000 mAh ER34615 Li-SOCL2 Battery
<b>Measuring Range</b>	0 - 100000 lux
<b>Accuracy</b>	± 3%
<b>Weight</b>	Meter: 333g (with battery and mounting bracket); Sensor: 280g (with cable)
<b>USB</b>	Type C
<b>IP Rating</b>	Meter: IP67; Sensor: IP65
<b>Cable Length</b>	3 m
<b>Dimensions</b>	Meter: 105.4 × 71 × 69.5 mm (4.1 × 2.8 × 2.7 in); Sensor: 64 × 58 × 34 mm (2.5 × 2.3 × 1.3 in)

\*Battery life estimates are based on standard environmental conditions and transmission intervals. Actual performance may vary based on configuration, signal environment, and reporting frequency.

**SPEAK WITH A SPECIALIST**

844-4SONICU • 317.468.2345  
sonicu.com • sales@sonicu.com